



Highland™ Series

High Mast & Area LED Floodlight

Premium fixture enhances productivity, safety and security

Designed to withstand the world's harshest environments

500 model delivers up to 80,000 lumens and replaces 1000W HID fixtures

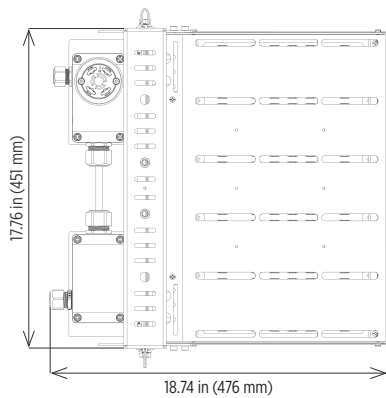
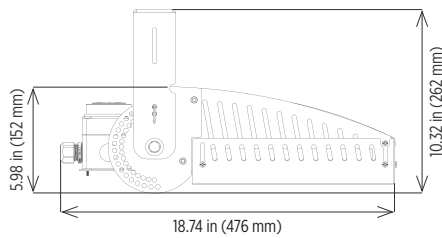
250 model delivers up to 40,000 lumens and replaces 400W HID fixtures

High efficacy lighting with greater than 140 lumens per watt

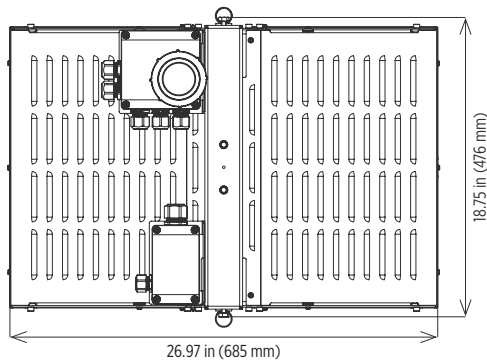
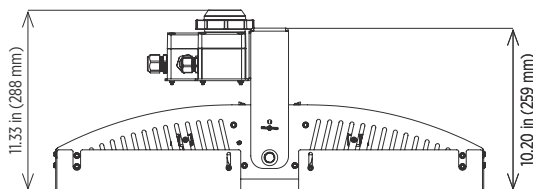
Dimensions

Note: Models shown with twist-lock receptacle option.

250 Model



500 Model



Specifications

Construction	High strength, AL5052 aluminum Built-in, adjustable visor (optional - GG)
Finish	Weather-resistant powder coat
Hardware	Marine grade stainless steel
Light source	Premium LED modules 250 model, up to 265W and 40,000 lumens 500 model, up to 530W and 80,000 lumens CCT: Cool white (5000K), neutral white (4000K) (additional color temperatures available upon request) UV-resistant, polycarbonate lens
Lifetime	50,000 hours at up to 45°C 100,000 hours at up to 35°C
Power source	90 - 305 VAC, 50/60 Hz (120-277V) 249 - 528 VAC, 50/60 Hz (277-480V) Waterproof to IP67 10kA surge protection
Power factor	> 0.9 at 277V
Ambient operating temperature	-40°C to +45°C
Mounting	Trunnion mount (standard); 5° indexed aiming Pipe mount (optional) accommodates NPS 2.00 inch (2.38 inch OD)
Fixture weight	250 model - 31 lb (14.1 kg) 500 model - 39.5 lb (17.9 kg)
EPA (wind load)	250 model - 0.96 sq. ft. (0.09 m ²) 500 model - 1.21 sq. ft. (0.11 m ²)
Warranty	5 years

For IES files, see website or contact factory

Compliances

UL/cUL Listed to:

- UL 1598 Suitable for Wet Locations
- UL 8750 for LED Equipment
- CSA C22.2 No. 250.0

DLC

IP66 (without twist-lock receptacle)



Highland™ Series

High Mast & Area LED Floodlight

DURABILITY X DESIGN™

Ordering Information

Example: HL-250-LT-120-277-NW-PM¹

Fixture	Model	Optic	Voltage	CCT ²	Options
HL	250	LT	120-277	CW	PM
	500	LQ	277-480	NW	GG
		LR			TR ³
		LZ			
		LV			
		LX			

Model	Optic	Voltage	CCT ²
250	LT Narrow spot	120-277	120-277V, 50-60Hz
500	LQ Medium spot	277-480	277-480V, 50-60Hz
	LR Wide spot		
	LZ Type 2		
	LV Type 4		
	LX Type 5		

Options

- PM Pipe mount, accommodates NPS 2.00 inch (2.38 inch OD)
- GG Glare guard
- TR³ Twist-lock receptacle

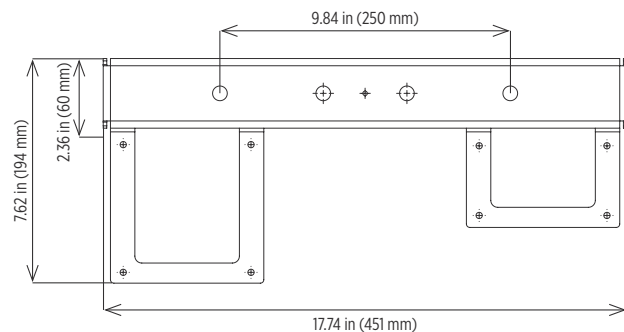
Notes

- 1 Dimmable when using LIT-WC accessory (see below)
- 2 Additional color temperatures available upon request
- 3 IP63 with twist-lock receptacle

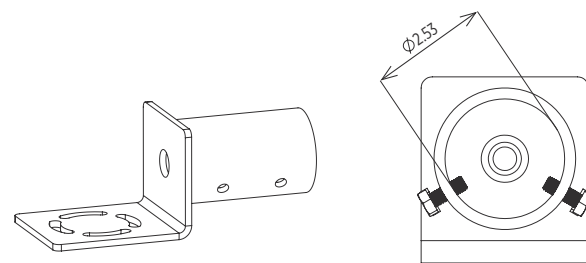
Special Projects: We may be able to accommodate your special projects, so please don't hesitate to ask about additional options. Minimum order quantities and/or extended lead times will apply. Contact your Phoenix representative with specific inquiries.

Mounting

Trunnion Mount (standard)



Pipe Mount Kit (optional)



Accessories (order separately)

- Twist-lock Photocontrol HM-PC
- Twist-lock Lighting Management System Wireless Controller LIT-WC

Product design and specifications are subject to change without notice. The most current version of this specification sheet can be found on our website: www.phoenixlighting.com.

